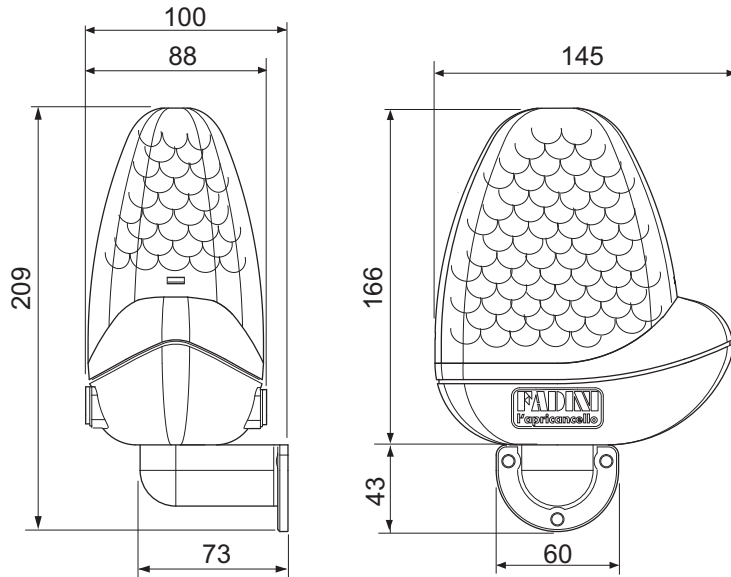
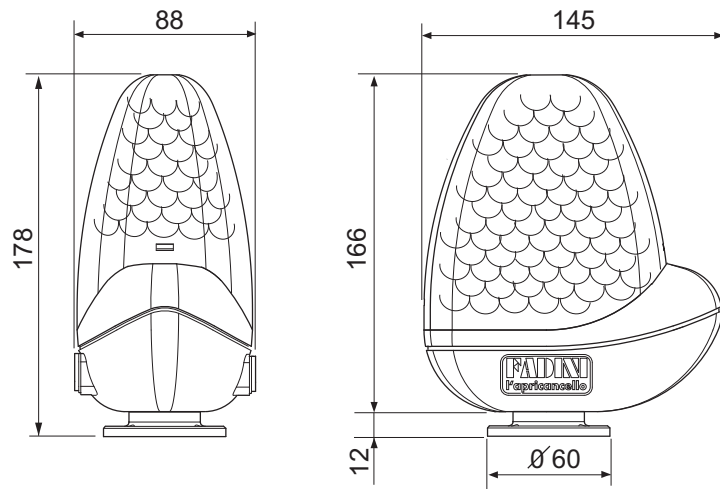


A)



MIRI 4 WITH FIXING BRACKET

B)



MIRI 4 VERTICAL FIXING ONTO GATE POST

GB

Miri 4 is a visual signalling device producing intermittent yellow light to indicate when an automatic gate is being operated. The global design shows a geometrical, rounded shape consisting of two parts. A transparent dome, which irradiates intermittent light, and a base made of ABS plastic, black in colour, containing the electronic PC card of the unit and the bulb support. The base is made of two hollow elements fitting together, one on top of the other, allowing a cavity inside to house the electronic PC and an aerial rod (optional) next to it. The two parts are hermetic against atmospheric agents.

The transparent dome is made of methacrylate ester - Oroglox MF I10, shock-resistant, orange in colour, and has a "drop" pattern on the external finish to improve the radiation of light and make the luminous signal well visible from a distance.

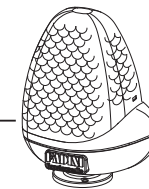
Fixing can be either parallel to a fixing wall A) by using a specially designed bracket providing the unit with a "bayonet" base for fixing; or vertical on top B) by mounting the unit on a flat base plate. Both versions have holes for cable inlet.

The materials this product is made of are tested to be weather-proof, resistant to shock and heat sources.

TECHNICAL SPECIFICATIONS

Voltage Supply	230 V a.c.
Power	25 W
Frequency	50 Hz
Power Absorption	0,30 A
Intermittent Rating	70 cycles/min
Duty Cycle	Alternate
Temperature	-20°C +80°C
Luminous Intensity	40 Lux
Transparent dome material	Methacrylate ester-OROGLEX-MF I10 shock-resistant
Weight	300 g
Protection standards	IP 44

CE EUROPEAN MARK CERTIFYING CONFORMITY TO THE ESSENTIAL REQUIREMENTS OF THE STANDARDS 98/37/CE



Drwng. No. 4067

TECHNICAL SPECIFICATION TABLE

FLASHING SIGNAL LAMP

MIRI 4

